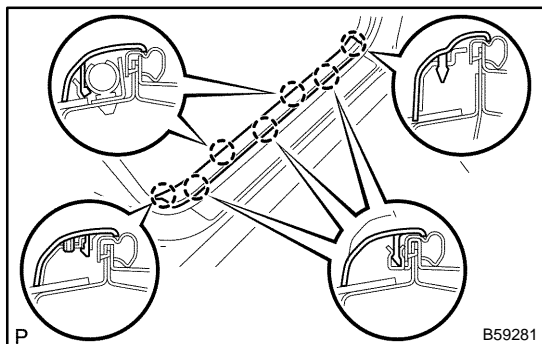


REPLACEMENT

HINT:

Installation is in the reverse order of the removal. But the installation is indicated only when it has a point.



1. REMOVE FRONT DOOR SCUFF PLATE RH

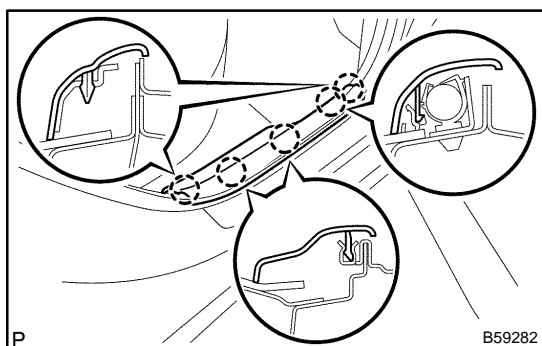
- (a) Using a screwdriver, remove the front door inside scuff plate.

HINT:

Tape the screwdriver tip before use.

- (b) Employ the same manner described above to the other side.

2. REMOVE FRONT DOOR SCUFF PLATE LH



3. REMOVE REAR DOOR SCUFF PLATE RH

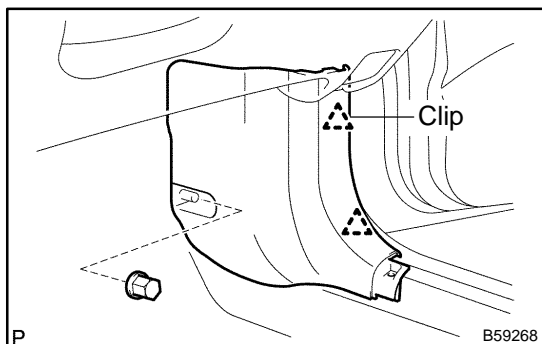
- (a) Using a screwdriver, remove the rear door scuff plate RH.

HINT:

Tape the screwdriver tip before use.

- (b) Employ the same manner described above to the other side.

4. REMOVE REAR DOOR SCUFF PLATE LH



5. REMOVE COWL SIDE TRIM BOARD RH

- (a) Remove the clip.

- (b) Using a screwdriver, remove the cowl side trim board RH.

HINT:

Tape the screwdriver tip before use.

- (c) Employ the same manner described above to the other side.

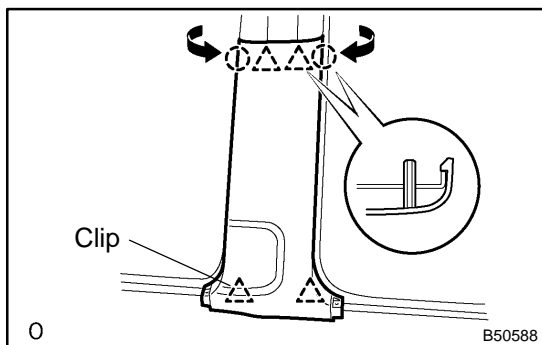
6. REMOVE COWL SIDE TRIM BOARD LH

7. REMOVE FRONT DOOR OPENING TRIM RH

8. REMOVE FRONT DOOR OPENING TRIM LH

9. REMOVE REAR DOOR OPENING TRIM RH

10. REMOVE REAR DOOR OPENING TRIM LH

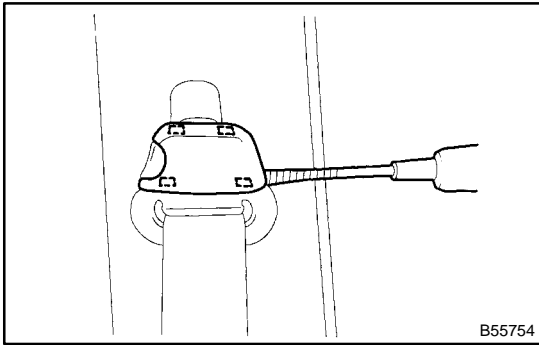


11. REMOVE CENTER PILLAR GARNISH LOWER RH

- (a) Pull the center pillar garnish lower RH upward to remove it.

- (b) Employ the same manner described above to the other side.

12. REMOVE CENTER PILLAR GARNISH LOWER LH

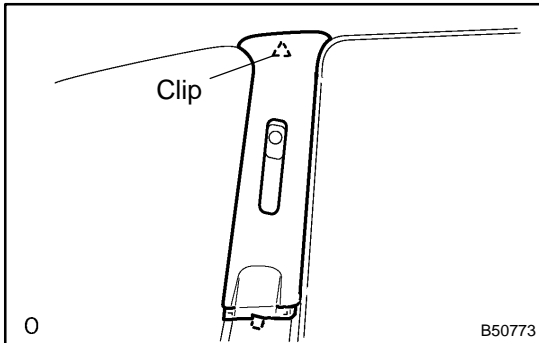
**13. REMOVE CENTER PILLAR GARNISH RH**

- (a) Using a screwdriver, remove the shoulder anchor cover cap.

HINT:

Tape the screwdriver tip before use.

- (b) Remove the bolt and disconnect the front seat outer belt (shoulder anchor side).
 (c) Remove the bolt and disconnect the front seat outer belt (floor anchor side).

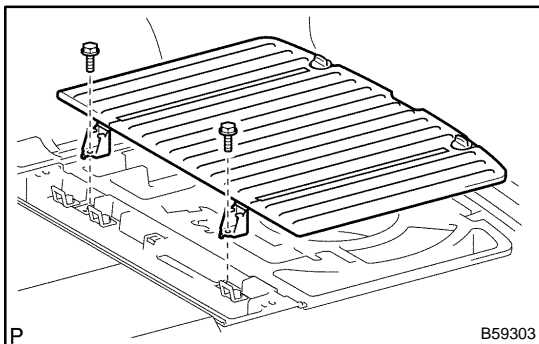


- (d) Using a screwdriver, remove the center pillar upper garnish RH.

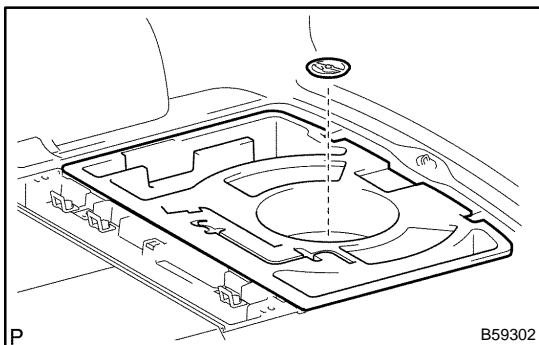
HINT:

Tape the screwdriver tip before use.

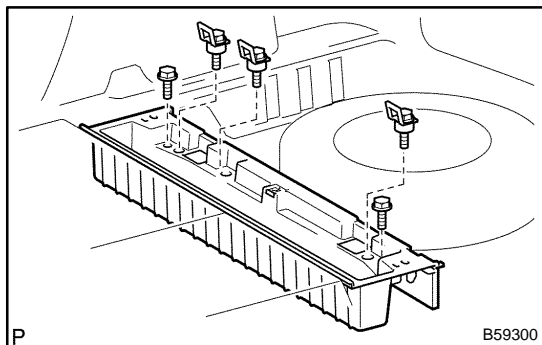
- (e) Employ the same manner described above to the other side.

14. REMOVE CENTER PILLAR GARNISH LH**15. REMOVE DECK BOARD NO.2****16. REMOVE DECK BOARD SUB-ASSY**

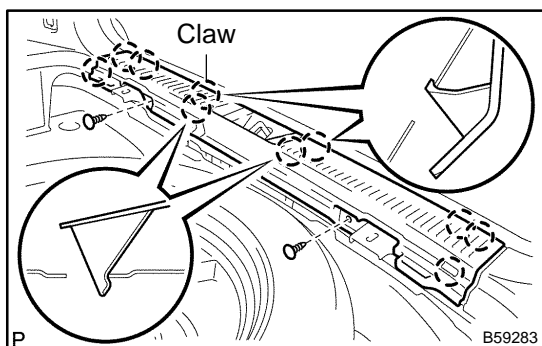
- (a) Remove the 2 bolts and deck board sub-assembly.

**17. REMOVE DECK FLOOR BOX REAR**

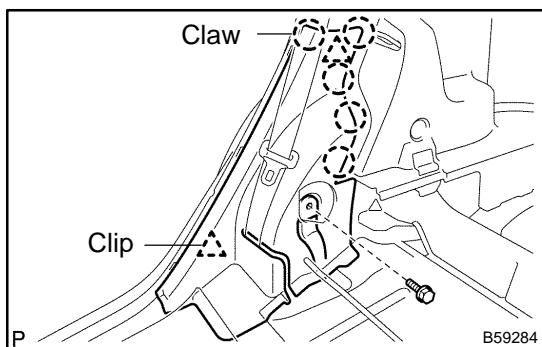
- (a) Loosening the spare wheel carrier assembly, remove the deck floor box rear.

**18. REMOVE LUGGAGE COMPARTMENT TRAY**

- (a) Remove the 5 bolts and luggage compartment tray.

19. REMOVE BACK DOOR WEATHERSTRIP**20. REMOVE DECK TRIM COVER REAR**

- (a) Remove the 2 clips.
 (b) Using a moulding remover, remove the deck trim cover rear.

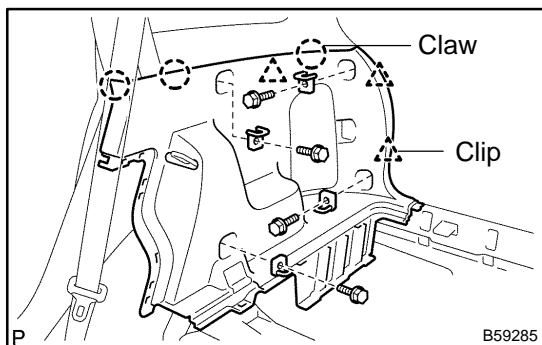
21. REMOVE TONNEAU COVER ASSY**22. REMOVE REAR SEAT CUSHION ASSY AND REAR SEAT BACK ASSY (See page 72-10)****23. REMOVE REAR SEAT SIDE GARNISH RH**

- (a) Remove the bolt and seat back hinges.
 (b) Using a screwdriver, remove the rear seat side garnish RH.

HINT:

Tape the screwdriver tip before use.

- (c) Employ the same manner described above to the other side.

24. REMOVE REAR SEAT SIDE GARNISH LH**25. REMOVE DECK TRIM SIDE PANEL ASSY RH**

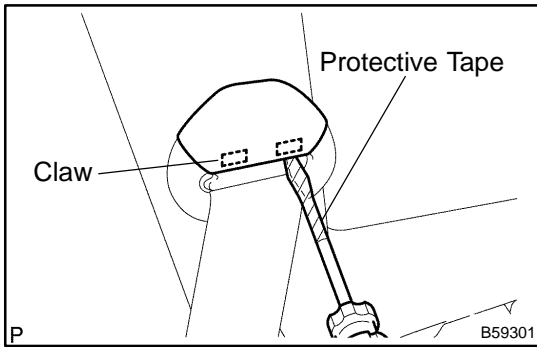
- (a) Remove the 4 bolts and 4 rope hooks.
 (b) Using a screwdriver, remove the deck trim side panel assembly RH.

HINT:

Tape the screwdriver tip before use.

- (c) Employ the same manner described above to the other side.

26. REMOVE DECK TRIM SIDE PANEL ASSY LH

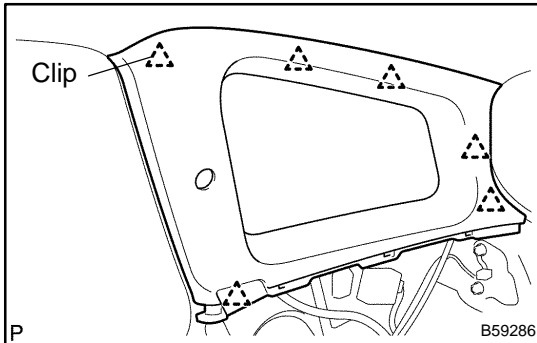
**27. REMOVE ROOF SIDE GARNISH INNER RH**

(a) Using a screwdriver, remove the seat belt anchor cover.

HINT:

Tape the screwdriver tip before use.

(b) Remove the bolt and rear seat 3 point belt assembly outer RH.

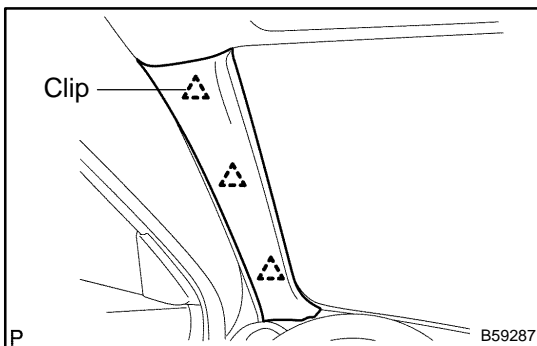


(c) Using a screwdriver, remove the roof side garnish inner RH.

HINT:

Tape the screwdriver tip before use.

(d) Employ the same manner described above to the other side.

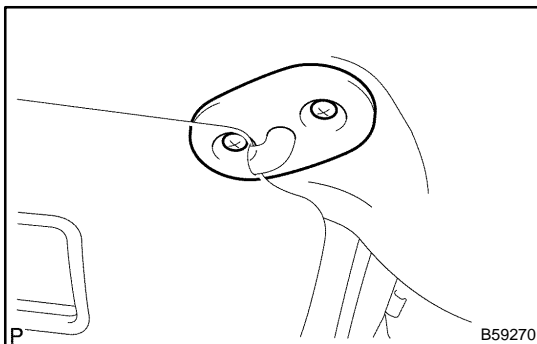
28. REMOVE ROOF SIDE GARNISH INNER LH**29. REMOVE FRONT PILLAR GARNISH RH**

(a) Using a screwdriver, remove the front pillar garnish RH.

HINT:

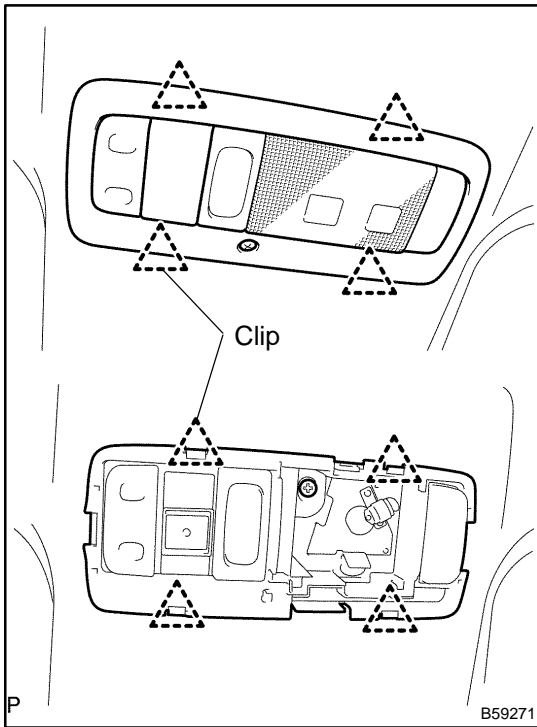
Tape the screwdriver tip before use.

(b) Employ the same manner described above to the other side.

30. REMOVE FRONT PILLAR GARNISH LH**31. REMOVE RH VISOR ASSY**

(a) Remove the 2 screws and RH visor assembly.

32. REMOVE LH VISOR ASSY

**33. REMOVE MAP LAMP ASSY**

- (a) Remove the screw.
- (b) Using a screwdriver, remove the map lamp lens and cover.

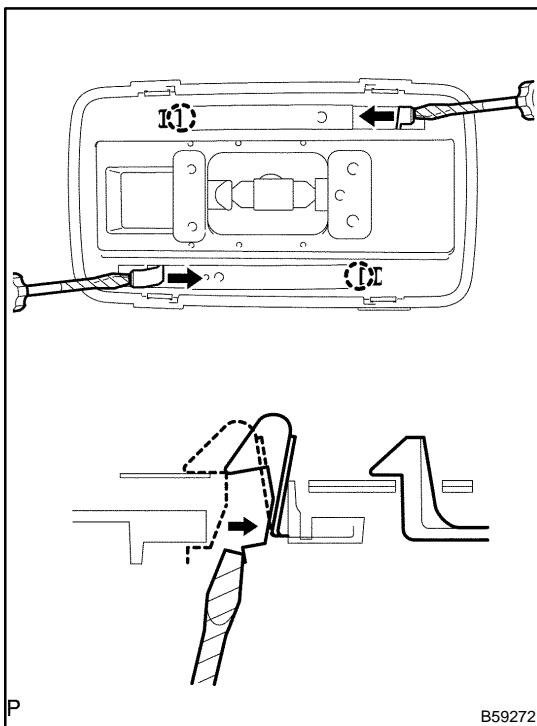
HINT:

Tape the screwdriver tip before use.

- (c) Remove the screw.
- (d) Using a screwdriver, remove the map lamp assembly.

HINT:

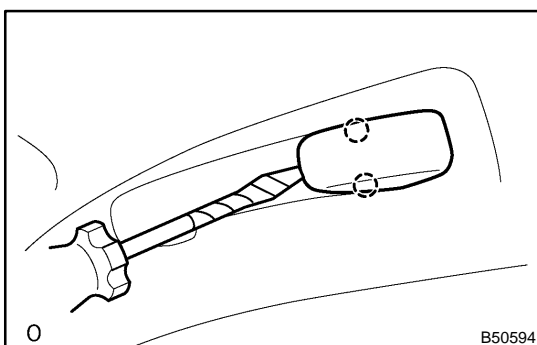
Tape the screwdriver tip before use.

**34. REMOVE ROOM LAMP ASSY NO.1**

- (a) Using a screwdriver, remove the lens cover.
- (b) Using a screwdriver, remove the room lamp assembly No.1, as shown in the illustration.

HINT:

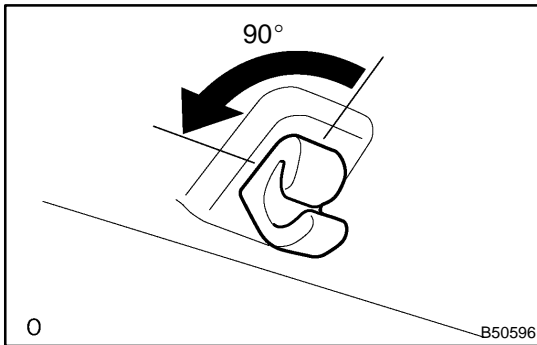
Tape the screwdriver tip before use.

**35. REMOVE ASSIST GRIP SUB-ASSY**

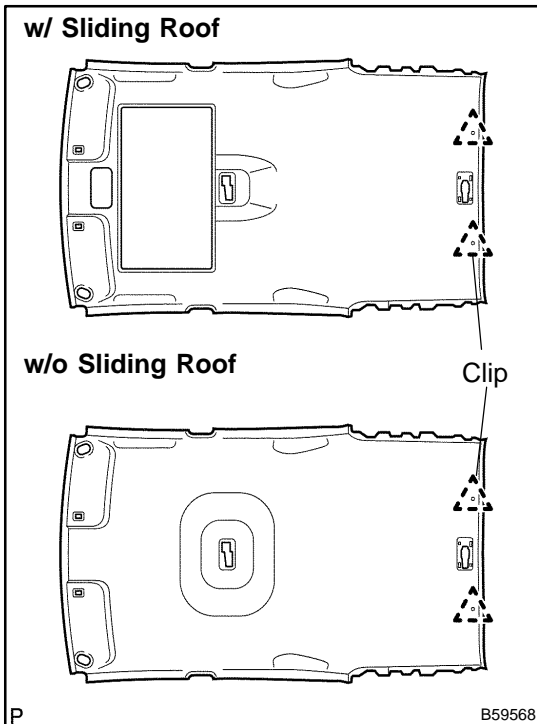
- (a) Using a screwdriver, remove the 2 assist grip covers.
- (b) Remove the 2 screws and assist grip sub-assembly.

HINT:

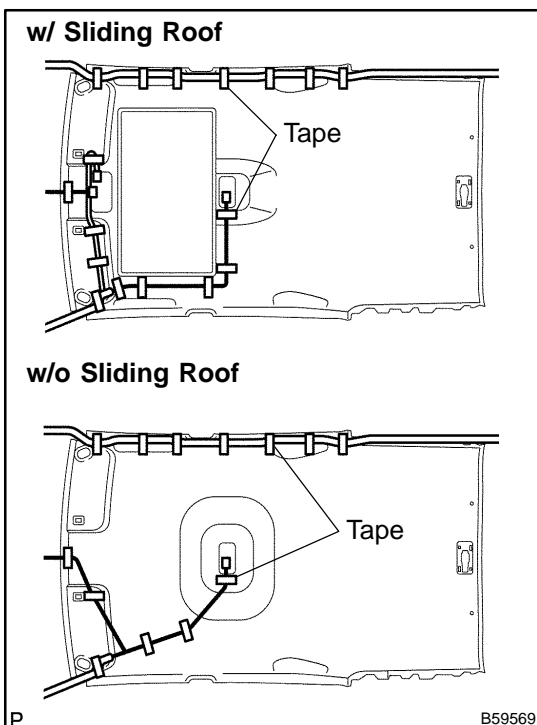
Tape the screwdriver tip before use.

**36. REMOVE VISOR HOLDER**

- (a) Remove the holder of the sun visor by turning it 90° counterclockwise.

37. REMOVE SUN ROOF OPENING TRIM MOULDING**38. REMOVE ROOF HEADLINING ASSY**

- (a) Remove the 2 clips and roof headlining assembly.

**39. INSTALL ROOF HEADLINING ASSY**

- (a) Align the markings, and then install the wire harness with tape.

HINT:

Be careful for dirt or foreign objects not to stick to the adhered part when peeling off the double-stick tape.

- (b) Attach the roof wire harness across the adhered part.

NOTICE:

Roof wire harness should be attached securely.

- (c) Install the 2 clips.

40. INSTALL REAR SEAT CUSHION ASSY AND REAR SEAT BACK ASSY (See page [72-10](#))