

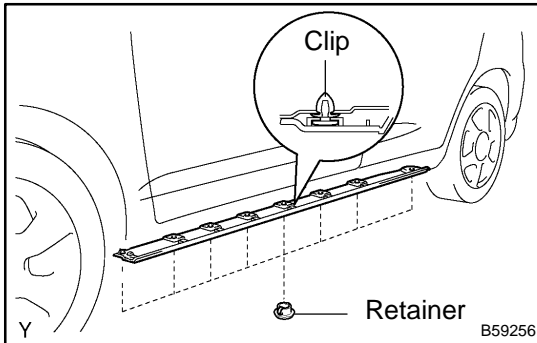
ROCKER PANEL MOULDING LH

REPLACEMENT

760IF-01

HINT:

- Installation is in the reverse order of the removal. But the installation is indicated only when it has a point.
- In the RH side, work in the same procedure as in the LH side.



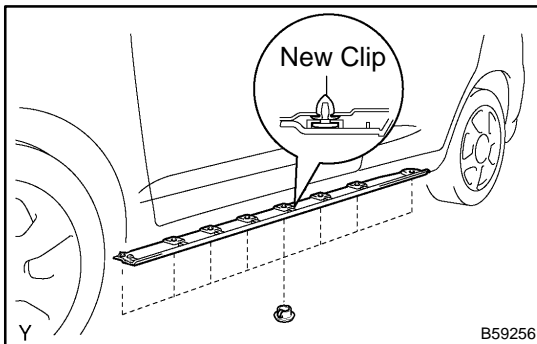
1. REMOVE ROCKER PANEL MOULDING LH

- Remove the 8 retainers.
- Using a screwdriver, remove the rocker panel moulding.

HINT:

Tape the screwdriver tip before use.

- Remove the 7 clips from the moulding.



2. INSTALL ROCKER PANEL MOULDING LH

- Install new 7 clips to the moulding.