

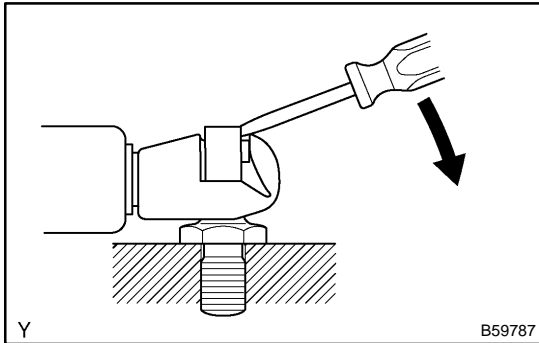
# BACK WINDOW STAY ASSY LH

## REPLACEMENT

700HP-01

**HINT:**

- Installation is in the reverse order of the removal.
- In the RH side, work in the same procedure as in the LH side.

**1. REMOVE BACK WINDOW STAY ASSY LH**

- (a) Using a screwdriver, remove the back door stay from the back door panel.
- (b) Remove the 2 bolts and back door stay from the body.

**HINT:**

While supporting the back door by hand, remove the back door stay.