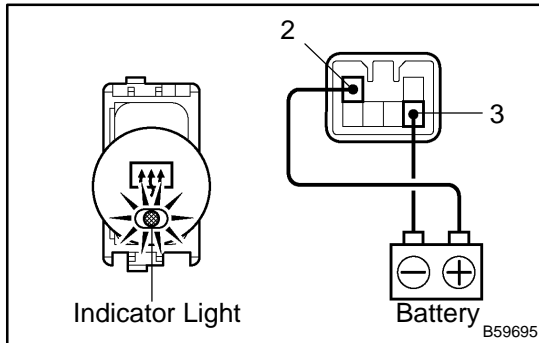


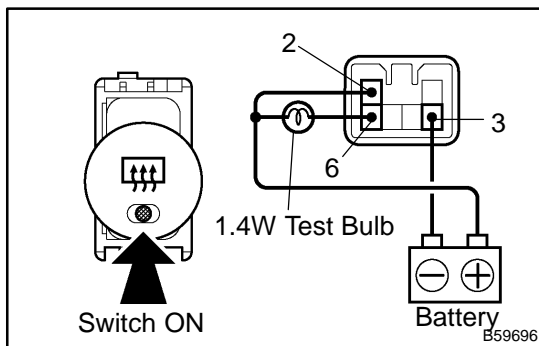
# INSPECTION



## 1. INSPECT REAR WINDOW DEFOGGER SWITCH ASSY

- (a) Inspect the defogger switch continuity.
- (1) Connect the positive (+) lead from the battery to terminal 2 and negative (-) lead to terminal 3, and then check that the indicator light will light up.

If the result is not as specified, replace the switch or bulb.



- (b) Inspect the defogger timer operation.
- (1) Connect the positive (+) lead from the battery to terminal 2 and negative (-) lead to terminal 3.
  - (2) Connect the positive (+) lead from the battery to terminal 6 through a 1.4 W test bulb.
  - (3) Push the defogger switch ON, and check that the indicator light in the switch and test bulb will light up for 12 to 18 minutes then the indicator light and test bulb will go out.

If the result is not as specified, replace the switch.

## 2. INSPECT DEFOGGER RELAY (Marking: DEF)

- (a) Remove the defogger relay from the instrument panel J/B.
- (b) Inspect the defogger relay continuity.

### Standard:

Terminal No.	Condition	Specified condition
1 ↔ 2	Constant	Continuity
3 ↔ 5	Apply B+ between terminals 1 and 2	Continuity

If the result is not as specified, replace the relay.

