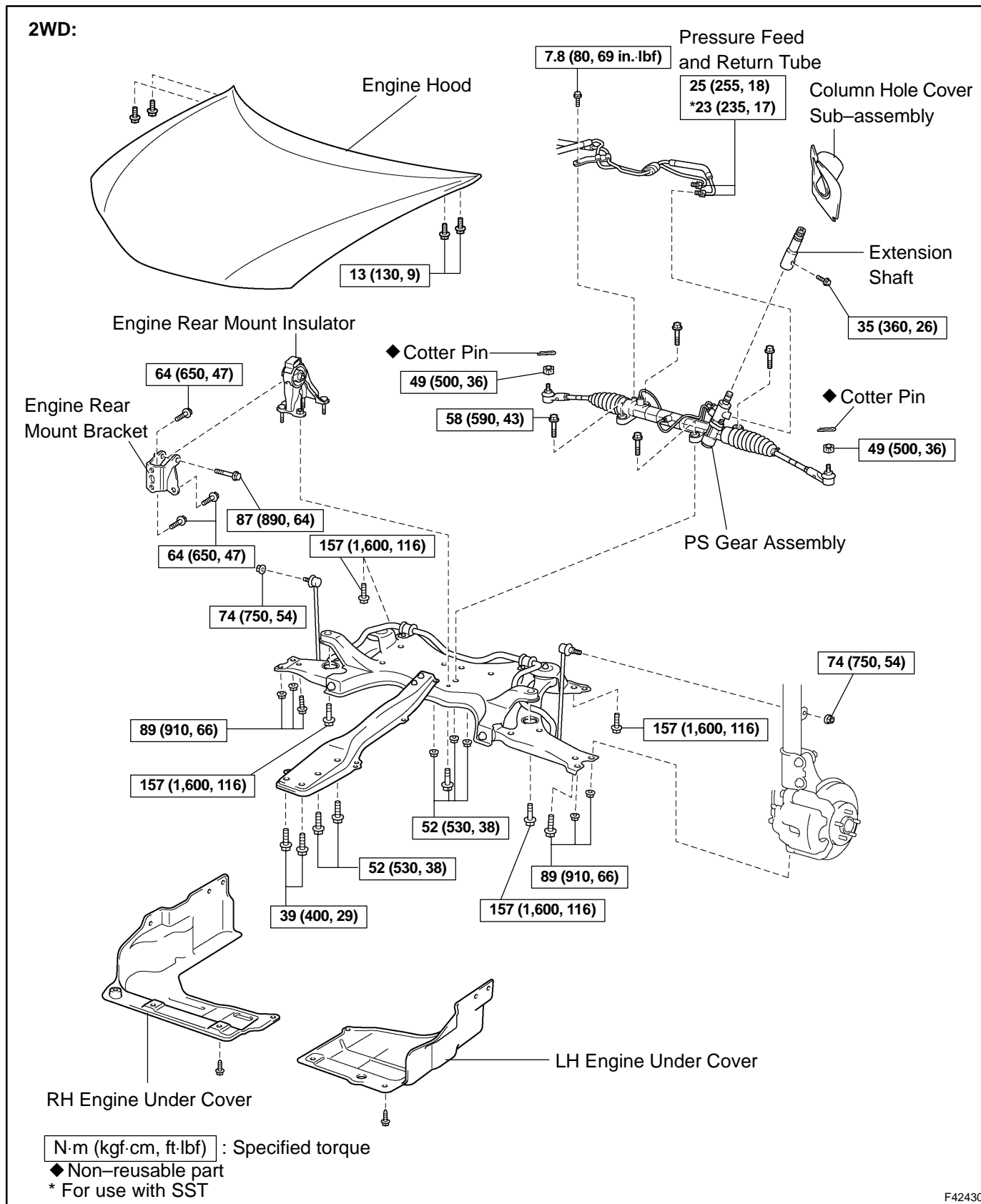


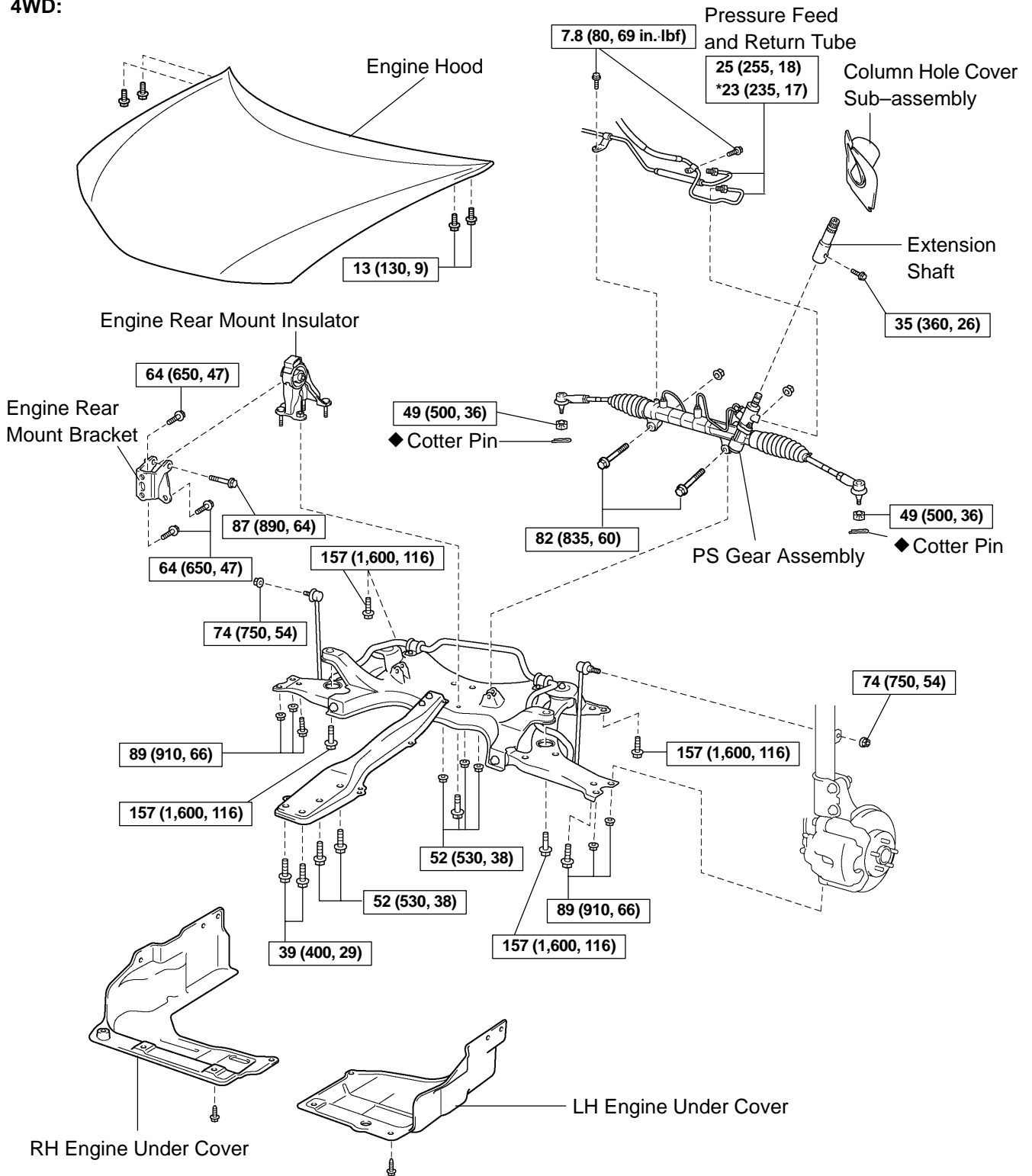
RACK & PINION POWER STEERING GEAR ASSY COMPONENTS

51083-01



F42430

4WD:



N·m (kgf·cm, ft·lbf) : Specified torque

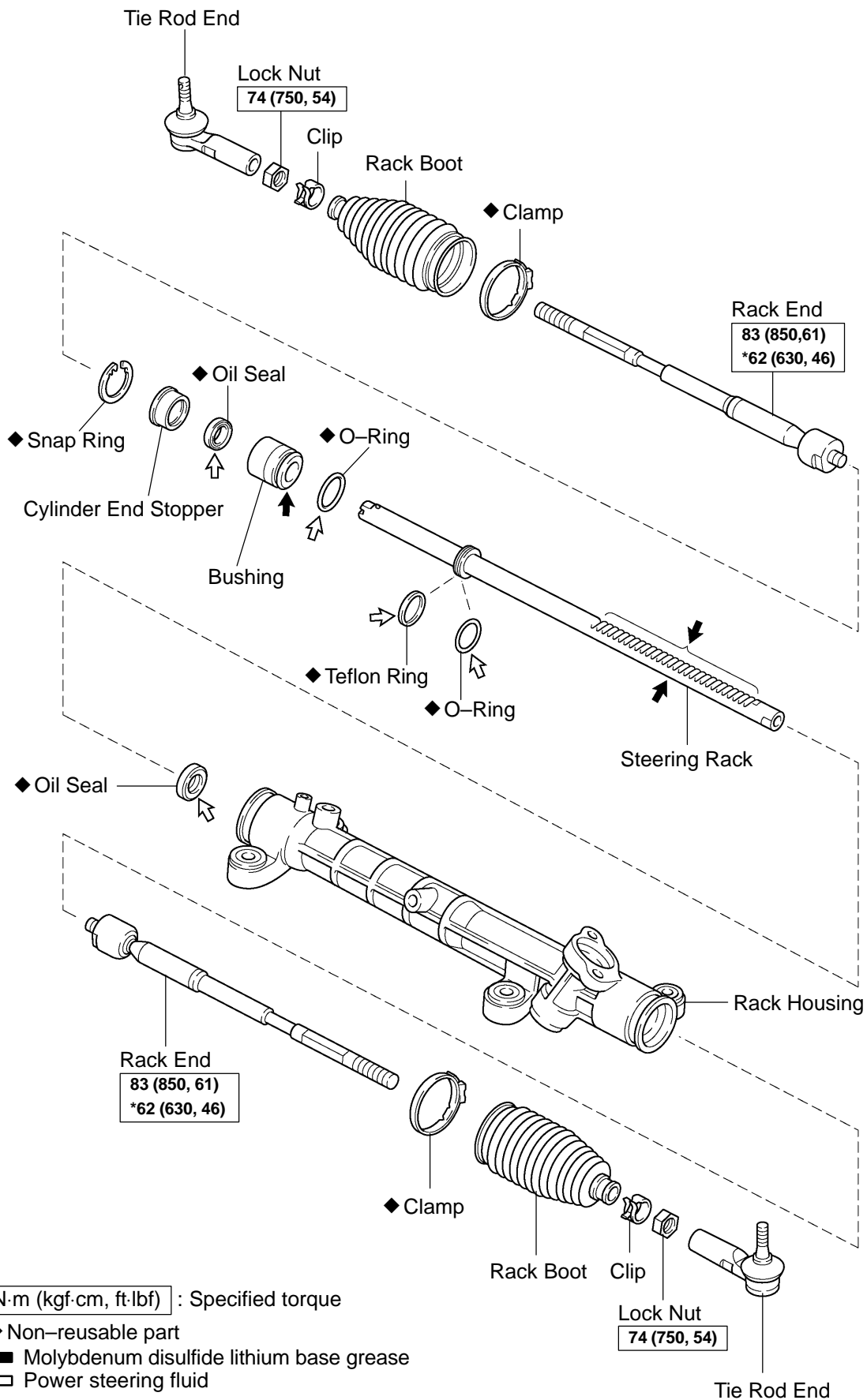
◆ Non-reusable part

* For use with SST

N

F42423

2WD:



N·m (kgf·cm, ft·lbf) : Specified torque

◆ Non-reusable part

➡ Molybdenum disulfide lithium base grease

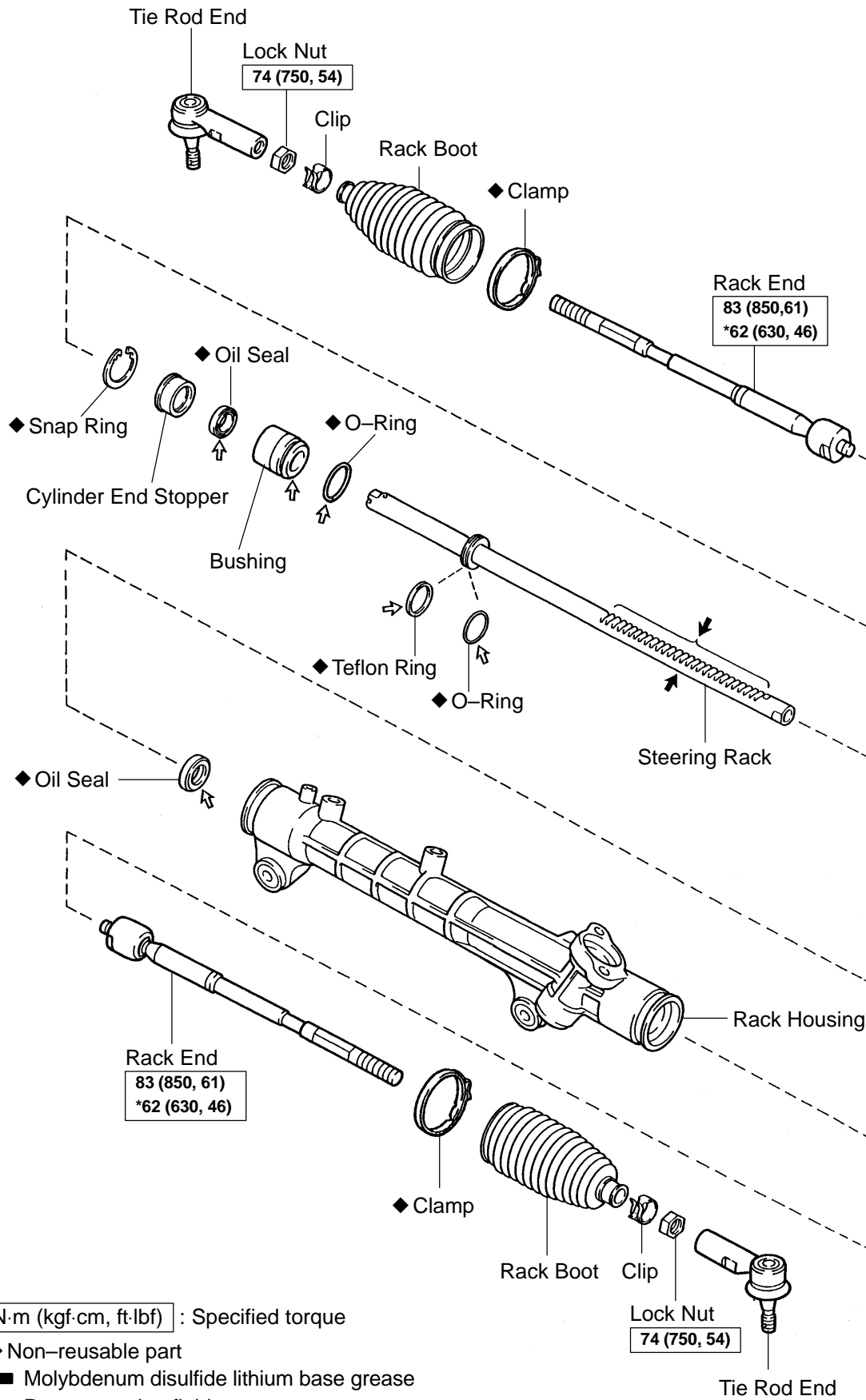
↔ Power steering fluid

* For use with SST

N

F42431

4WD:



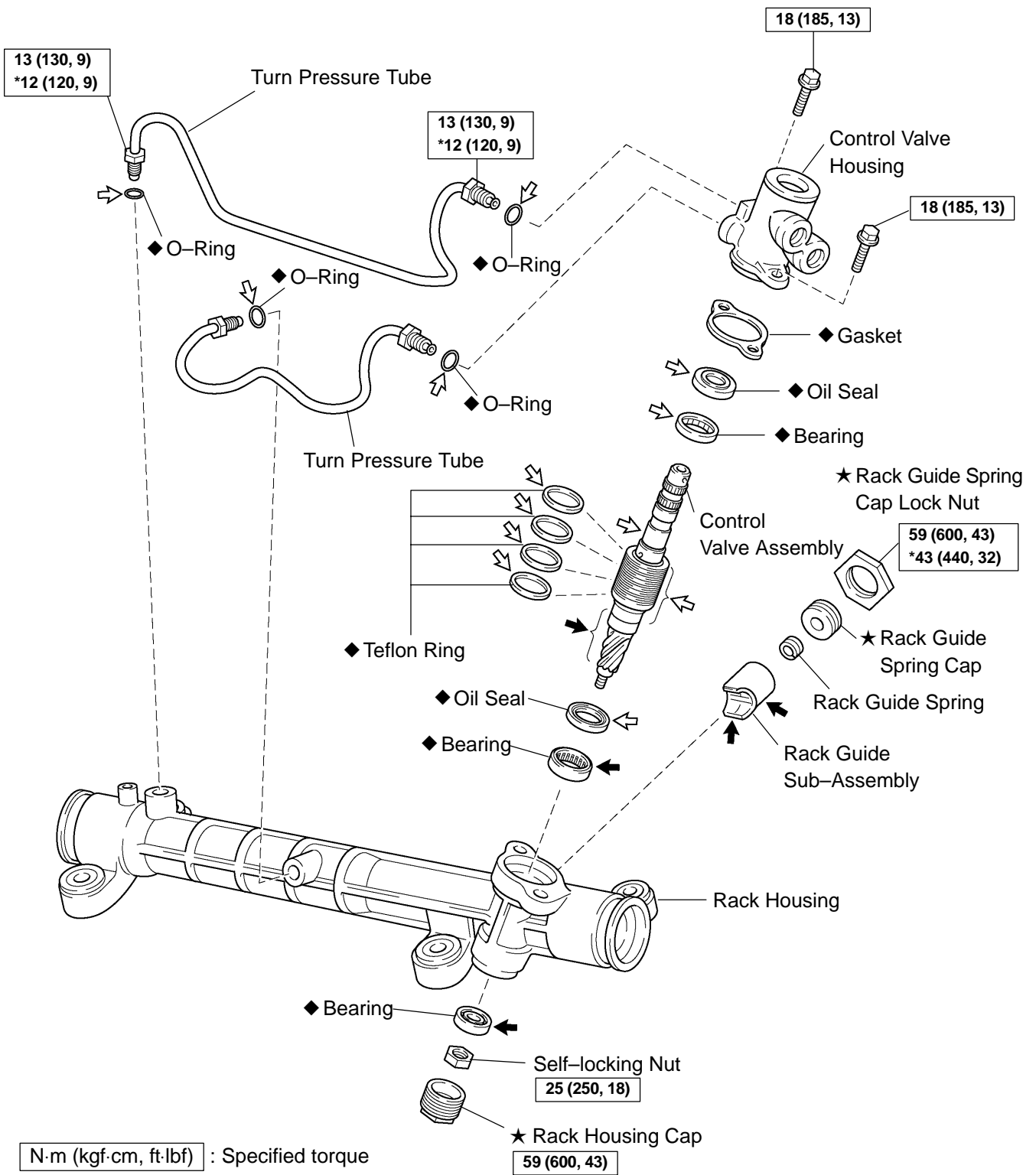
N·m (kgf·cm, ft·lbf) : Specified torque

- ◆ Non-reusable part
- ➡ Molybdenum disulfide lithium base grease
- ↔ Power steering fluid
- * For use with SST

N

F42462

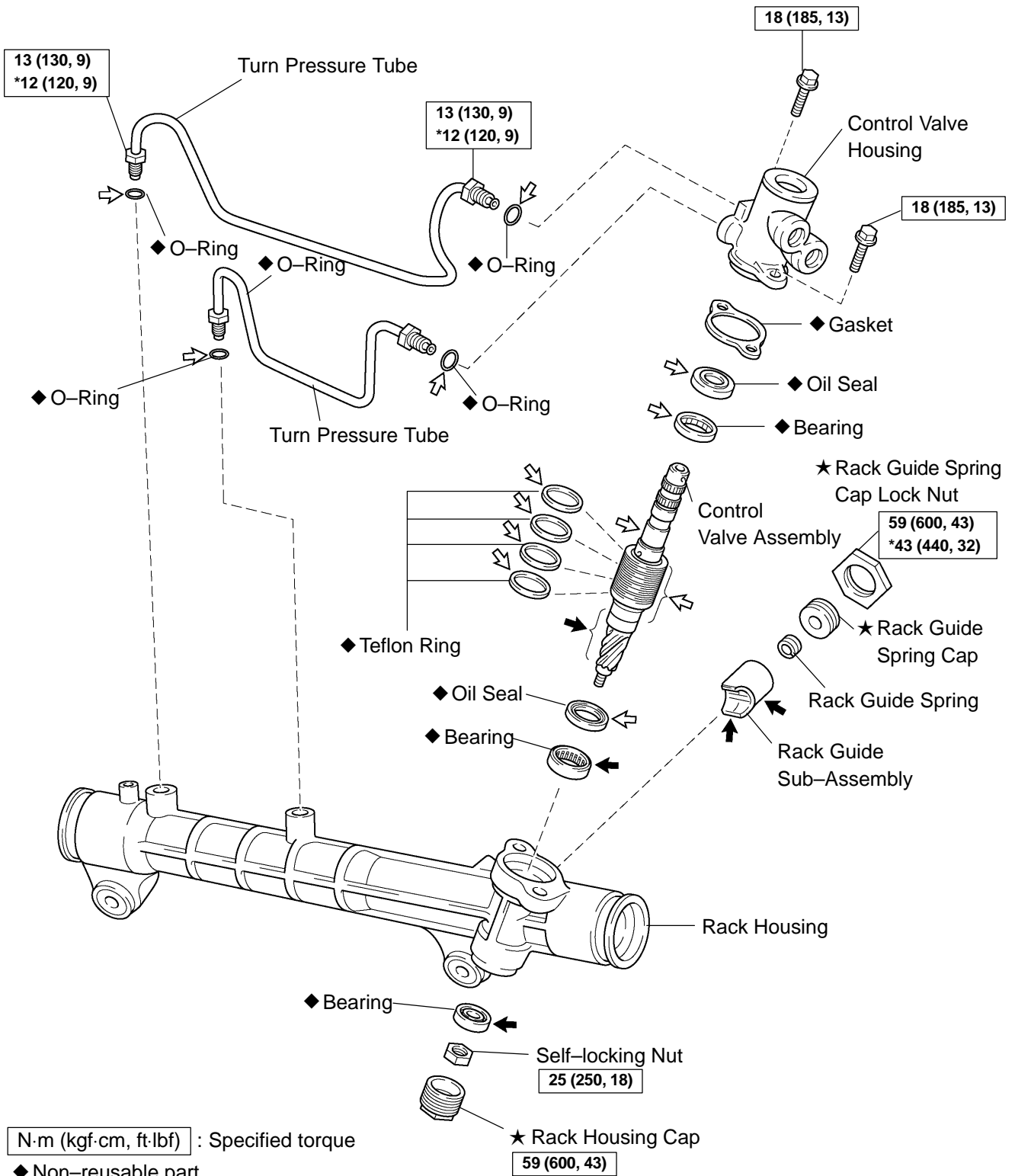
2WD:



N

F42432

4WD:



- N-m (kgf-cm, ft.lbf) : Specified torque
- ◆ Non-reusable part
- ★ Precoated part
- ➡ Molybdenum disulfide lithium base grease
- ↩ Power steering fluid
- * For use with SST

N

F42463