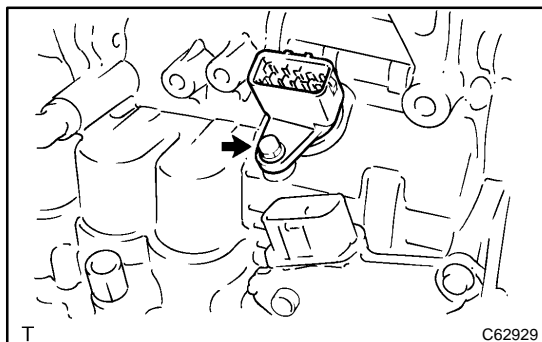


# TRANSMISSION WIRE (U341F)

## REPLACEMENT

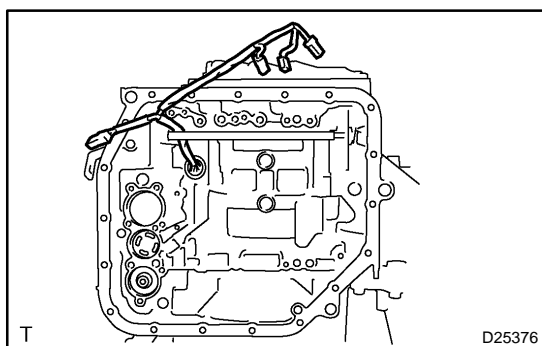
400N5-01

### 1. REMOVE TRANSMISSION VALVE BODY ASSY (See page 40-58)



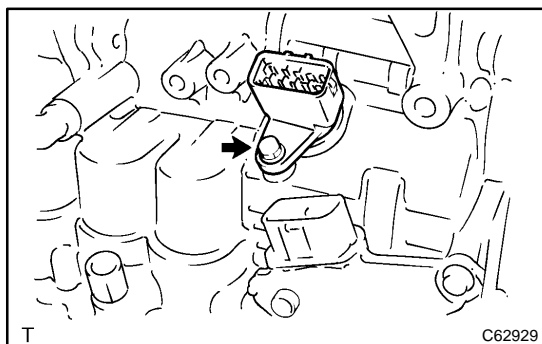
### 2. REMOVE TRANSMISSION WIRE

- (a) Removal the bolt and transmission wire.



### 3. INSTALL TRANSMISSION WIRE

- (a) Coat a O-ring with ATF.  
 (b) Install the transmission wire.



- (c) Install the bolt.  
**Torque: 5.4 N·m (55 kgf·cm, 48 in·lbf)**

### 4. INSTALL TRANSMISSION VALVE BODY ASSY (See page 40-58)