

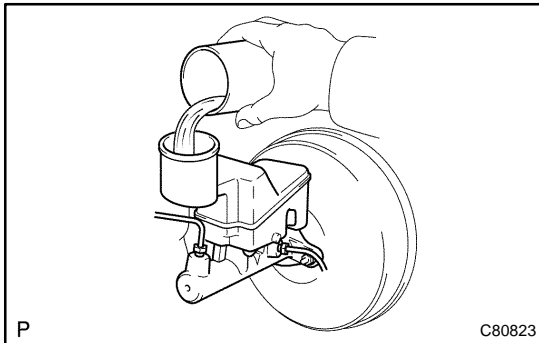
BRAKE FLUID BLEEDING

NOTICE:

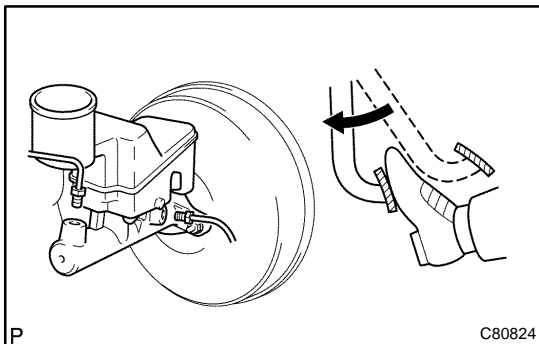
Wash the brake fluid off immediately if it comes into contact with any painted surface.

HINT:

If any work is done on the brake system or if air in the brake lines is suspected, bleed the air from the system.



1. **FILL RESERVOIR WITH BRAKE FLUID**
Fluid: SAE J1703 or FMVSS No. 116 DOT3

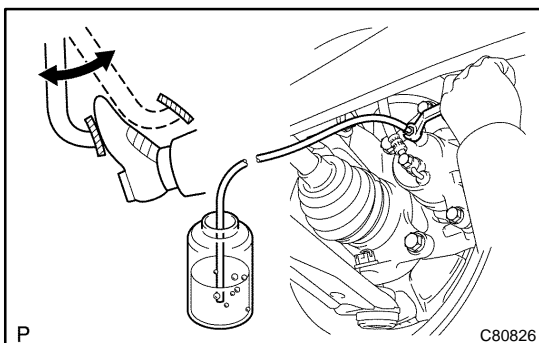
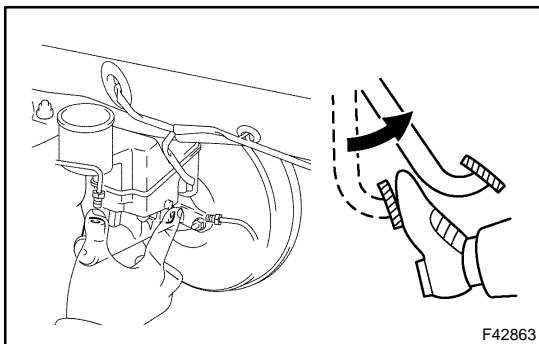


2. **BLEED MASTER CYLINDER**

HINT:

If the master cylinder has been disassembled or if the reservoir becomes empty, bleed the air from the master cylinder.

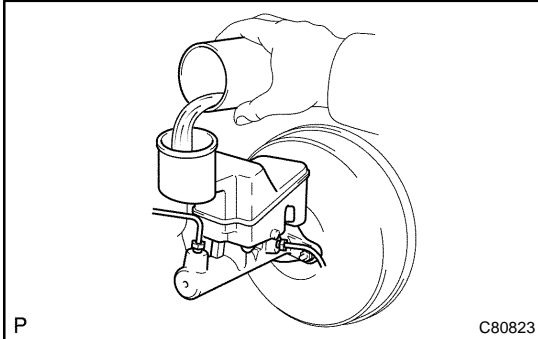
- (a) Disconnect the brake lines from the master cylinder.
SST 09023-00100
- (b) Slowly depress the brake pedal and hold it.
- (c) Block off the outer holes with your fingers, and release the brake pedal.
- (d) Repeat (b) and (c) 3 or 4 times.



3. **BLEED BRAKE LINE**

- (a) Connect the vinyl tube to the brake caliper.
- (b) Depress the brake pedal several times, then loosen the bleeder plug with the pedal held down.
- (c) At the point when fluid stops coming out, tighten the bleeder plug, then release the brake pedal.
Torque: 8.3 N·m (85 kgf·cm, 74 in.-lbf)
- (d) Repeat (b) and (c) until all the air in the fluid has been bled out.

- (e) Repeat the above procedures to bleed the air out of the brake line for each wheel.



4. CHECK FLUID LEVEL IN RESERVOIR

- (a) Check the fluid level and add fluid if necessary.
Fluid: SAE J1703 or FMVSS No. 116 DOT3