

REAR AXLE LH HUB BOLT REPLACEMENT

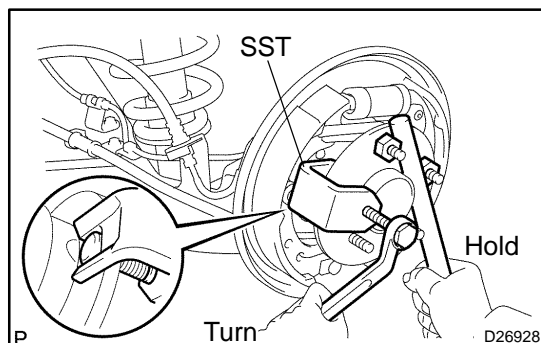
HINT:

COMPONENTS:

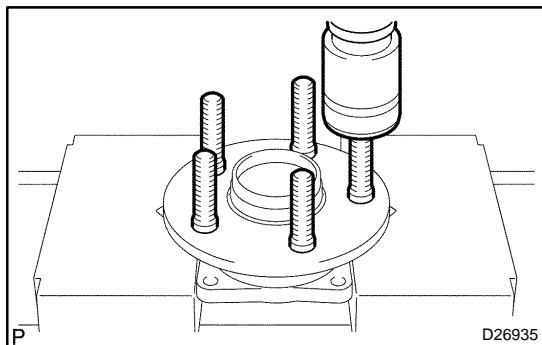
FF: See page 30-62

4WD: See page 30-65

1. REMOVE REAR WHEEL
2. SEPARATE REAR DISC BRAKE CALIPER ASSY, LH (DISC REAR BRAKE TYPE)
(See page 30-63)
3. REMOVE REAR DISC (DISC REAR BRAKE TYPE)
4. SEPARATE REAR STABILIZER LINK ASSY LH (4WD DRIVE TYPE) (See page 30-66)
5. REMOVE REAR AXLE SHAFT LH NUT (4WD DRIVE TYPE) (See page 30-66)
SST 09930-00010
6. REMOVE REAR BRAKE DRUM SUB-ASSY (DRUM REAR BRAKE TYPE)
7. SEPARATE SPEED SENSOR REAR LH (4WD DRIVE TYPE) (See page 30-66)
8. REMOVE PARKING BRAKE SHOE STRUT SET LH (4WD DRIVE TYPE) (See page 32-41)
SST 09703-30010
9. REMOVE FRONT BRAKE SHOE (4WD DRIVE TYPE) (See page 32-41)
SST 09718-00010
10. REMOVE REAR BRAKE AUTOMATIC ADJUST LEVER LH (4WD DRIVE TYPE)
(See page 32-41)
11. REMOVE REAR BRAKE SHOE (4WD DRIVE TYPE) (See page 32-41)
SST 09718-00010
12. SEPARATE PARKING BRAKE CABLE ASSY NO.3 (4WD DRIVE TYPE) (See page 32-41)
13. SEPARATE REAR BRAKE TUBE NO.4 (4WD DRIVE TYPE) (See page 30-66)
SST 09023-00100
14. SEPARATE REAR SUSPENSION ARM ASSY NO.1 LH (4WD DRIVE TYPE) (See page 30-66)
15. SEPARATE UPPER CONTROL ARM ASSY (4WD DRIVE TYPE) (See page 30-66)
16. REMOVE AXLE ASSY RR LH (4WD DRIVE TYPE) (See page 30-66)
17. REMOVE REAR WHEEL BEARING DUST DEFLECTOR NO.1 LH (4WD DRIVE TYPE)
(See page 30-66)
18. REMOVE REAR AXLE HUB & BEARING ASSY LH (4WD DRIVE TYPE) (See page 30-66)

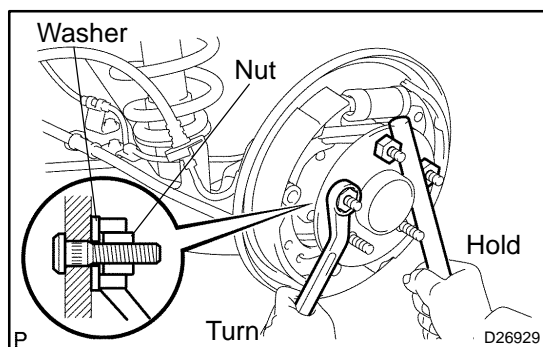


19. REMOVE REAR AXLE LH HUB BOLT (2WD DRIVE TYPE)
 - (a) Using SST and a hammer handle or an equivalent, remove the LH hub bolt.
SST 09628-10011



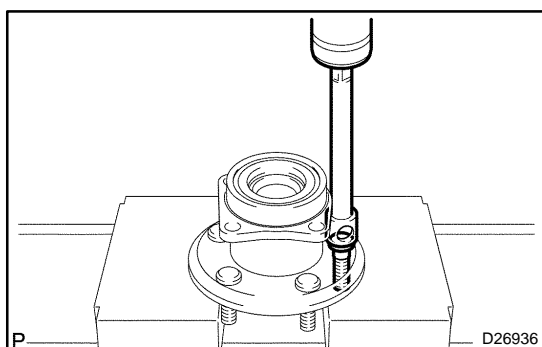
20. REMOVE REAR AXLE LH HUB BOLT (4WD DRIVE TYPE)

- (a) Using a press, remove the LH hub bolt.



21. INSTALL REAR AXLE LH HUB BOLT (2WD DRIVE TYPE)

- (a) Install a washer and nut to a new LH hub bolt as shown in the illustration.
- (b) Using a hammer handle or an equivalent to hold the hub & bearing assy, install the LH hub bolt by tightening the nut.



22. INSTALL REAR AXLE LH HUB BOLT (4WD DRIVE TYPE)

- (a) Using a press and an extension bar, install a new LH hub bolt.

23. INSTALL REAR AXLE HUB & BEARING ASSY LH (4WD DRIVE TYPE) (See page 30-66)

24. INSTALL REAR WHEEL BEARING DUST DEFLECTOR NO.1 LH (4WD DRIVE TYPE)

(See page 30-66)

SST 09608-10010, 09950-60020 (09951-00680), 09950-70010 (09951-07100)

25. TEMPORARY TIGHTEN UPPER CONTROL ARM ASSY (4WD DRIVE TYPE) (See page 30-66)

26. INSTALL AXLE ASSY RR LH (4WD DRIVE TYPE) (See page 30-66)

27. TEMPORARY TIGHTEN REAR SUSPENSION ARM ASSY NO.1 LH (4WD DRIVE TYPE)

(See page 30-66)

28. INSTALL REAR BRAKE TUBE NO.4 (4WD DRIVE TYPE) (See page 30-66)

SST 09023-00100

29. CONNECT PARKING BRAKE CABLE ASSY NO.3 (4WD DRIVE TYPE) (See page 32-41)

30. APPLICATION HIGH TEMPERATURE GREASE (4WD DRIVE TYPE) (See page 32-41)

31. INSTALL REAR BRAKE SHOE (4WD DRIVE TYPE) (See page 32-41)

SST 09718-00010

32. INSTALL REAR BRAKE AUTOMATIC ADJUST LEVER LH (4WD DRIVE TYPE)

(See page 32-41)

33. INSTALL FRONT BRAKE SHOE (4WD DRIVE TYPE) (See page 32-41)

SST 09718-00010

34. INSTALL PARKING BRAKE SHOE STRUT SET LH (4WD DRIVE TYPE) (See page 32-41)

35. SPEED SENSOR REAR LH (4WD DRIVE TYPE) (See page 30-66)

2003 COROLLA MATRIX (RM940U)

36. CHECK REAR DRUM BRAKE INSTALLATION (4WD DRIVE TYPE) (See page 32-41)
37. INSTALL REAR BRAKE DRUM SUB-ASSY (DRUM REAR BRAKE TYPE)
38. INSTALL REAR AXLE SHAFT LH NUT (4WD DRIVE TYPE) (See page 30-66)
39. REMOVE REAR BRAKE DRUM SUB-ASSY (4WD DRIVE TYPE)
40. INSPECT BEARING BACKLASH (4WD DRIVE TYPE) (See page 30-66)
41. INSPECT AXLE HUB DEVIATION (4WD DRIVE TYPE) (See page 30-66)
42. INSTALL REAR BRAKE DRUM SUB-ASSY (4WD DRIVE TYPE)
43. ADJUST REAR DRUM BRAKE SHOE CLEARANCE (4WD DRIVE TYPE) (See page 32-41)
44. INSTALL REAR AXLE SHAFT LH NUT (4WD DRIVE TYPE) (See page 30-66)
45. INSTALL REAR STABILIZER LINK ASSY LH (4WD DRIVE TYPE) (See page 30-66)
46. BLEED BRAKE LINE (4WD DRIVE TYPE) (See page 32-6)
47. INSTALL REAR DISC (DISC REAR BRAKE TYPE)
48. INSTALL REAR DISC BRAKE CALIPER ASSY, LH (DISC REAR BRAKE TYPE)
(See page 30-63)
49. INSTALL REAR WHEEL
Torque: 103 N·m (1,050 kgf·cm, 76 ft·lbf)
50. STABILIZE SUSPENSION (4WD DRIVE TYPE)
51. FULLY TIGHTEN UPPER CONTROL ARM ASSY (4WD DRIVE TYPE) (See page 27-32)
52. FULLY TIGHTEN REAR SUSPENSION ARM ASSY NO.1 LH (4WD DRIVE TYPE)
(See page 27-27)
53. CHECK FLUID LEVEL IN RESERVOIR (4WD DRIVE TYPE)
54. INSPECT AND ADJUST REAR WHEEL ALIGNMENT (4WD DRIVE TYPE) (See page 27-7)
55. CHECK ABS SPEED SENSOR SIGNAL (4WD DRIVE TYPE) (See page 05-316)